



SC ASISCO TEHNIC SRL
str. Zizinului nr. 10, bloc 38, etaj 7, apt. 30, Brasov
cod postal 500414, jud. Brasov
telefon: 0374 – 012324
fax: 0368 – 004552
RC: J08/46/2010
Cont IBAN: RO11FNNB005402576399RO02
Banca: Credit Europe Bank – Crangasi

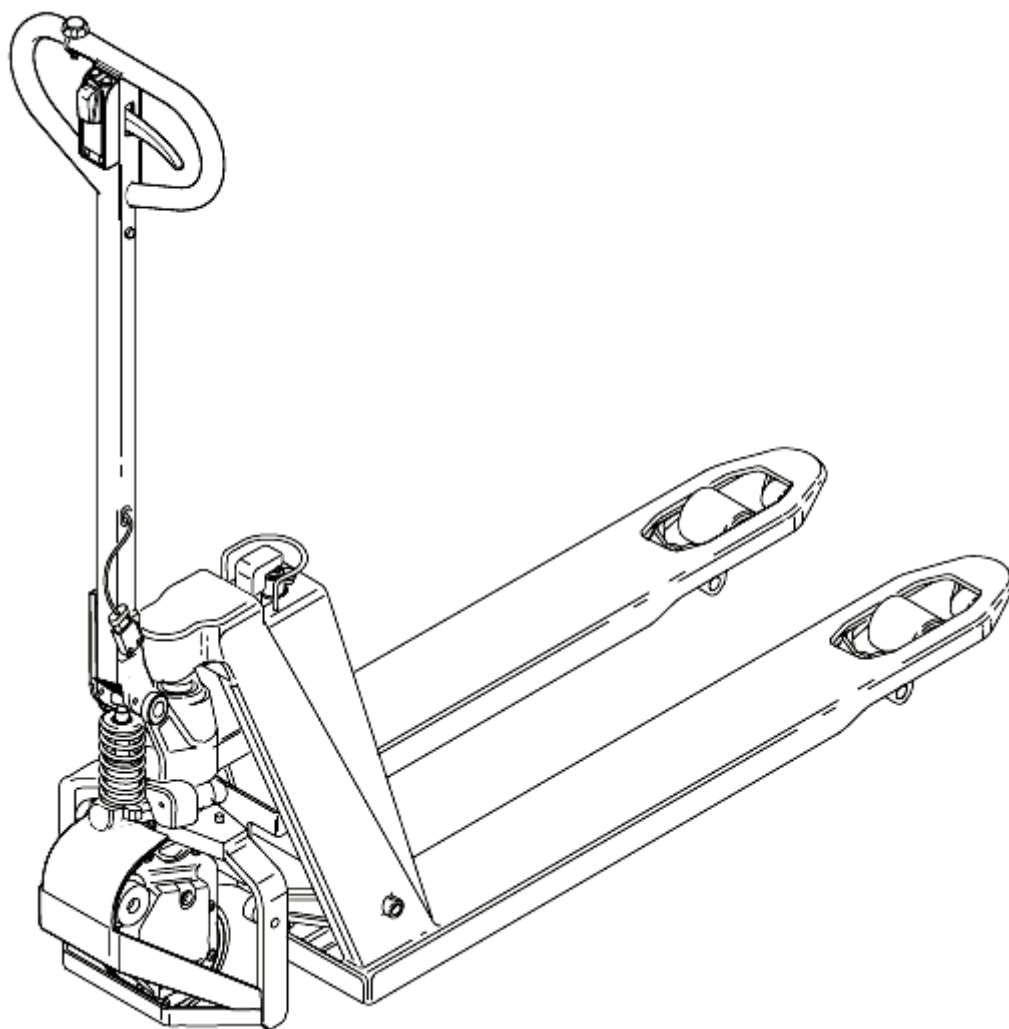
e-mail: office@asisco.ro
http://www.asisco.ro
CUI : RO 22280483

Norme specifice de exploatare

PLAT-NSE 0206

Transpaleta manuala LEC 1000 M

producator: Lifrite



2010