

# UpRight

## **CARTE TEHNICA PLATFORMA AUTORIDICATOARE UPRIGHT X32**

**seria de fabricatie: .....**

**an de fabricatie: .....**



**UPRIGHT, Inc.**

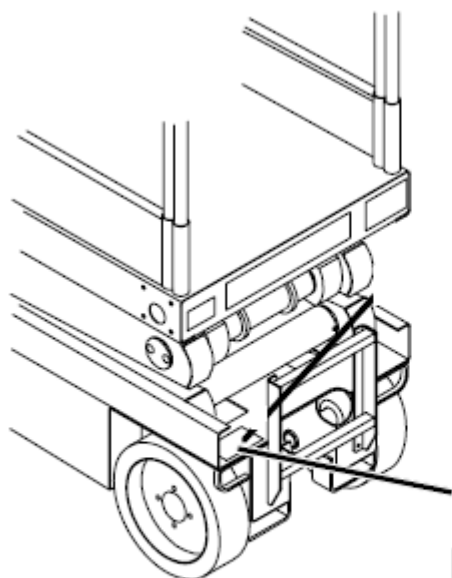
801 South Pine Street Madera, California  
93637

TEL: 559-662-3900

FAX: 559-673-6184

## CARTE TEHNICA X 32

Atunci cand se va contacta compania UpRight pentru informatii privind service-ul si piesele de schimb, trebuie sa comunicati MODELUL SI NUMARUL DE SERIE de pe placuta de identificare a utilajului.



<b>UpRight</b>		VIGO CENTRE WASHINGTON TYNE & WEAR, UK	
MODEL	X32	SERIAL No.	
MAX. PLATFORM HEIGHT	9.63 m	YEAR OF MANUFACTURE	
MAX. PLATFORM LOAD	340 Kg = 3 Persons + Equipment Indoor 1 Persons + Equipment Outdoor		
MAX. LATERAL FORCE	400N Indoors 400N Outdoors	MAX. WIND SPEED	7 m/s
MAX. CHASSIS INCLINATION	2°	BATTERY VOLTAGE	24V
UNLADEN WEIGHT	2580 Kg	CHARGER INPUT VOLTAGE	110/220V
MAX. GRADEABILITY	25%	NOMINAL POWER	3 kW
CAUTION: ONLY TRAINED & AUTHORISED PERSONNEL MAY USE THIS MACHINE—CONSULT OPERATORS MANUAL BEFORE USE. THIS PLATFORM IS NOT ELECTRICALLY INSULATED 504198-004			

<p><b>UpRight, Inc.</b> 801 South Pine Street Madera, California 93637 TEL: 559-662-3900 FAX: 559-673-6184 PARTS: 1-888-UR-PARTS PARTS FAX: 1-800-669-9884</p>	<p><b>UpRight</b> Call Toll Free in U.S.A. 1-800-926-LIFT</p>	<p style="text-align: right;"><b>UpRight</b></p> <p>Unit S1, Park West Industrial Park Friel Avenue Nangor Road Dublin 12, Ireland TEL: +353 1 620 9300 FAX: +353 1 620 9301</p>
--	---	--