

UpRight

CARTE TEHNICA PLATFORMA AUTORIDICATOARE UPRIGHT X26

seria de fabricatie:

an de fabricatie:



UPRIGHT, Inc.

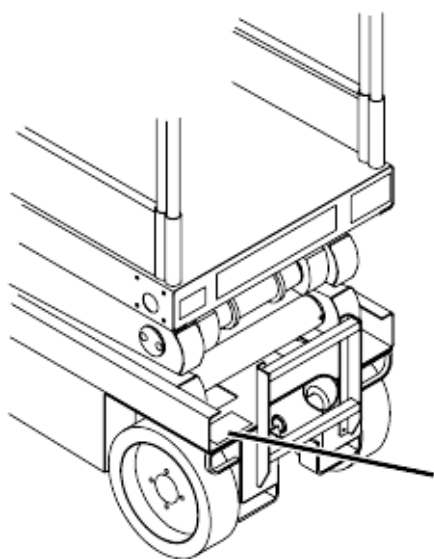
801 South Pine Street Madera, California
93637

TEL: 559-662-3900

FAX: 559-673-6184

CARTE TEHNICA X 26

Atunci cand se va contacta compania UpRight pentru informatii privind service-ul si piesele de schimb, trebuie sa comunicati MODELUL SI NUMARUL DE SERIE de pe placuta de identificare a utilajului.



UpRight		CE	
MODEL	X26	SERIAL No.	50064
MAX. PLATFORM HEIGHT	7.93M	UNLADEN WEIGHT	2153 Kg
MAX. PLATFORM LOAD	454 Kg, 2 Persons + Equip (Outdoor) 454 Kg, 4 Persons + Equip (Indoor)		
MAX. LATERAL FORCE	400N	MAX. WIND SPEED	12.5 m/s
MAX. CHASSIS INCLINATION	2°	BATTERY VOLTAGE	24V
MAX. GRADEABILITY	25%	CHARGER INPUT VOLTAGE	110/220V
MAX. FORWARD SPEED	1.0 m/s	NOMINAL POWER	3kW
CAUTION: ONLY TRAINED & AUTHORISED PERSONNEL MAY USE THIS MACHINE-CONSULT OPERATORS MANUAL BEFORE USE. THIS MACHINE IS NOT ELECTRICALLY INSULATED.			
			504197-000

<p>UpRight, Inc. 801 South Pine Street Madera, California 93637 TEL: 559-662-3900 FAX: 559-673-6184 PARTS: 1-888-UR-PARTS PARTS FAX: 1-800-669-9884</p>	<p style="text-align: center;">UpRight</p> <p style="text-align: center;">Call Toll Free in U.S.A. 1-800-926-LIFT</p>	<p style="text-align: right;">UpRight</p> <p style="text-align: right;">Unit S1, Park West Industrial Park Friel Avenue Nangor Road Dublin 12, Ireland TEL: +353 1 620 9300 FAX: +353 1 620 9301</p>
--	--	---