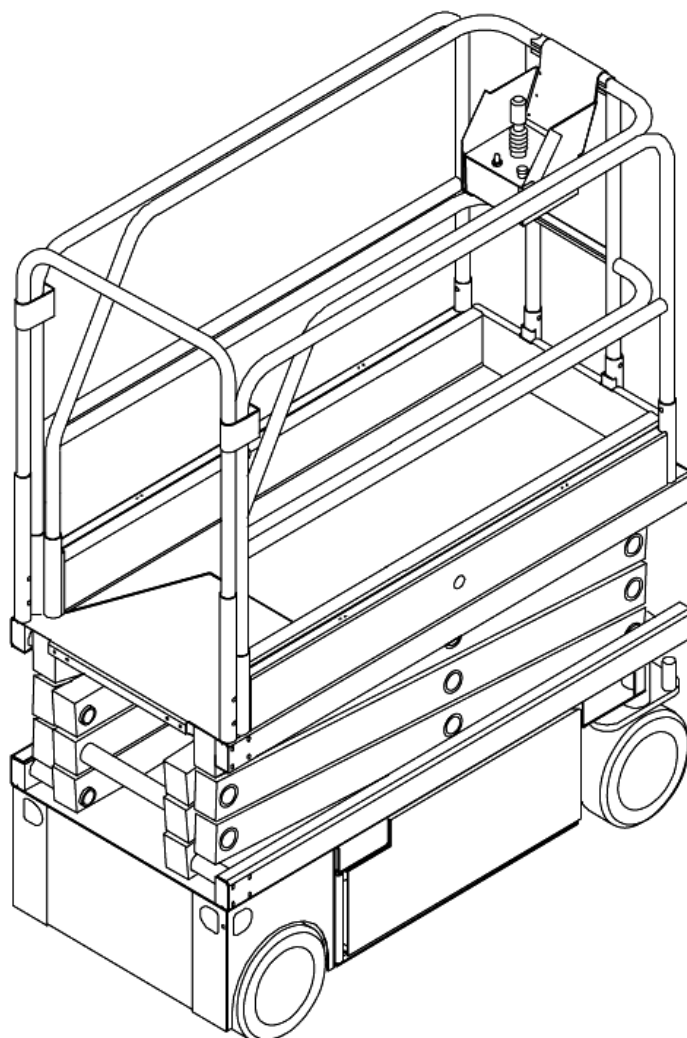


UpRight

PLATFORMA AUTORIDICATOARE MX19

seria de fabricatie:

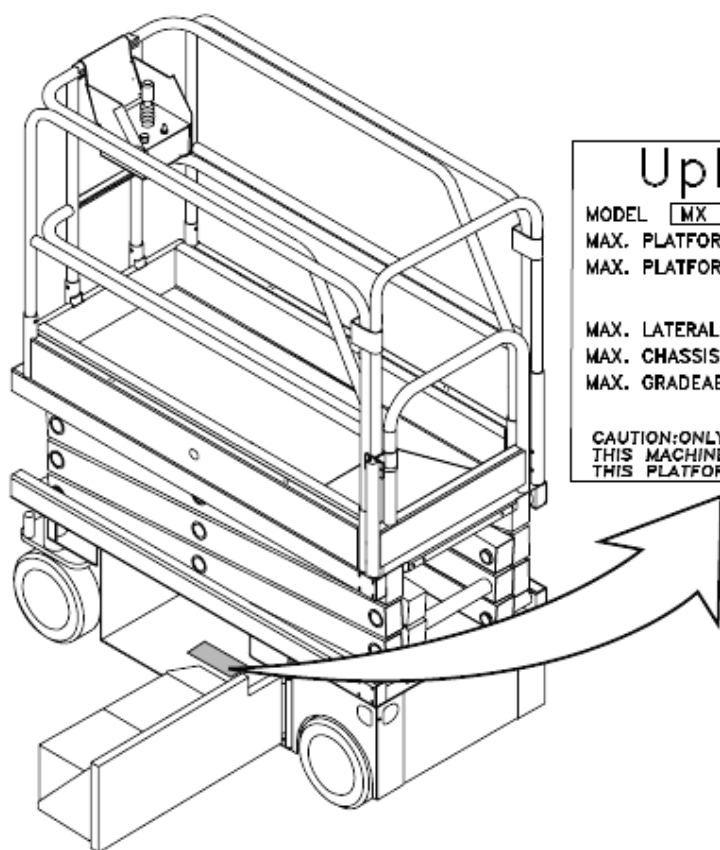
an de fabricatie:



CARTE TEHNICA

CARTE TEHNICA MX19

Atunci cand se va contacta compania UpRight pentru informatii privind service-ul si piesele de schimb, trebuie sa comunicati MODELUL SI NUMARUL DE SERIE de pe placuta de identificare a utilajului.



UpRight		VIGO CENTRE WASHINGTON TYNE & WEAR, UK	CE
MODEL	MX 19	SERIAL No.	
MAX. PLATFORM HEIGHT	5.7m	UNLADEN WEIGHT	1460 Kg
MAX. PLATFORM LOAD	227 Kg = 2 Persons Indoor 1 Persons Outdoor + Equipment		
MAX. LATERAL FORCE	400N Indoor 200N Outside	MAX. WIND SPEED	7 m/s
MAX. CHASSIS INCLINATION	2°	BATTERY VOLTAGE	24V
MAX. GRADEABILITY	25%	CHARGER INPUT VOLTAGE	110/220V
		NOMINAL POWER	3kW
CAUTION: ONLY TRAINED & AUTHORISED PERSONNEL MAY USE THIS MACHINE—CONSULT OPERATORS MANUAL BEFORE USE. THIS PLATFORM IS NOT ELECTRICALLY INSULATED 503725-002			

<p>UpRight, Inc. 801 South Pine Street Madera, California 93637 TEL: 559-662-3900 FAX: 559-673-6184 PARTS: 1-888-UR-PARTS PARTS FAX: 1-800-669-9884</p>	<p style="text-align: center;">UpRight</p> <p style="text-align: center;">Call Toll Free in U.S.A. 1-800-926-LIFT</p>	<p style="text-align: right;">UpRight</p> <p style="text-align: right;">Unit S1, Park West Industrial Park Friel Avenue Nangor Road Dublin 12, Ireland TEL: +353 1 620 9300 FAX: +353 1 620 9301</p>
--	---	--